



Witley suite - entrance doors

A prestigious range of door handles available in a comprehensive range of sizes tailored to suit individual requirements.

On the page opposite is illustrated the standard range of Witley entrance handles, together with a stock range of standard cranked pull handles. Each of these are available in a range of finishes: polished anodised aluminium, satin or polished 316 stainless steel, polyester powder coated to standard RAL colours. Fixing centres can be offset if required.

Should you require a special design for an individual application, please contact our technical department.

All the items listed are available in the following finishes; AS, PB, SSS, PSS
Refer to page 3 for glossary of finishes.

Materials; Aluminium, Brass, Stainless Steel

Standard finishes available - polished aluminium, polished and EPC coated brass, satin stainless steel and mirror polished stainless steel.

Non Standard Finishes: Gold and bronze anodised satin brass, colour coated to RAL B.S. No's, IBMA, satin Aluminium. Stainless steel contrast finish polished and satin.

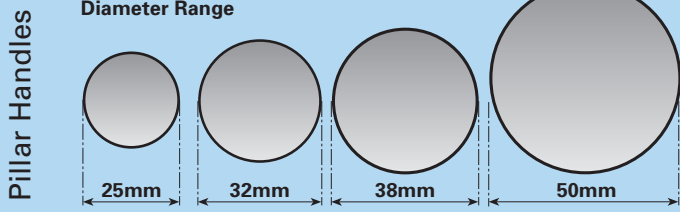
Fittings:

For wooden, glass or metal doors. Bolt through back to back, cranked or straight feet. Concealed rose fixing.

Diameters Available:

25mm, 32mm, 38mm & 50mm

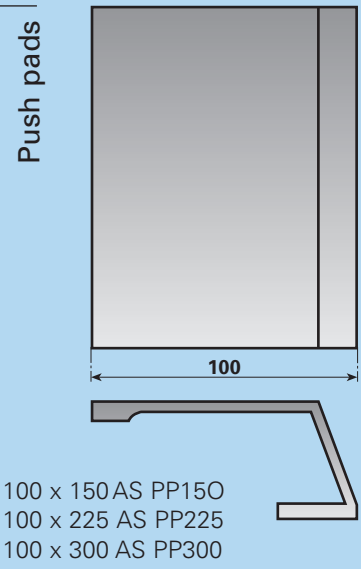
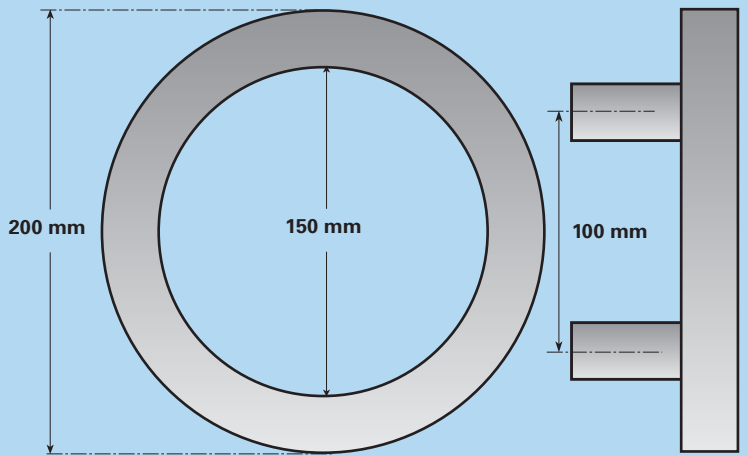
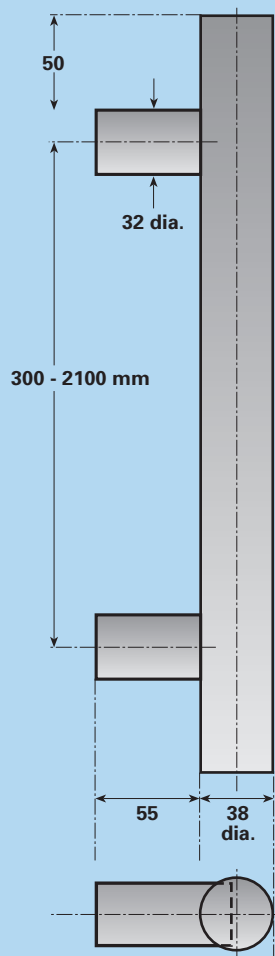
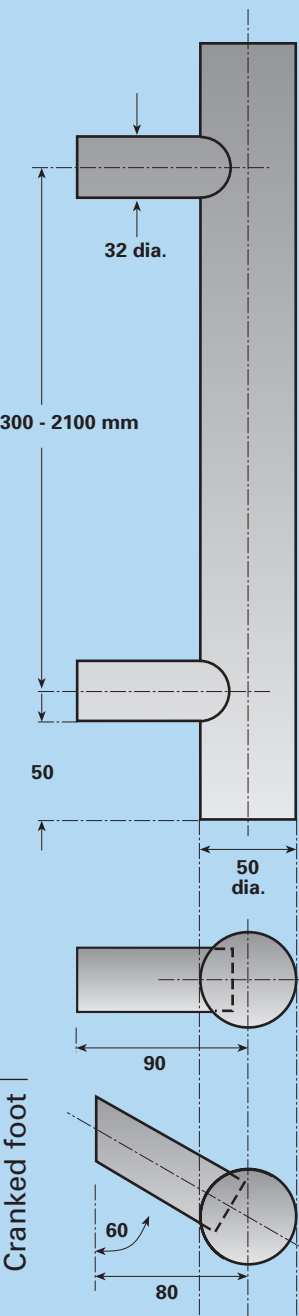
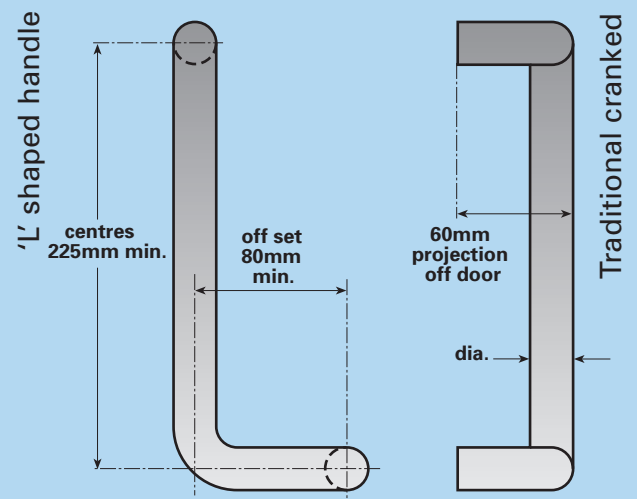
For standard lengths please see our price list. We are pleased to advise the most suitable application. Longer pull handles, 2100mm can be supplied with three or four feet for added strength and stability.



Cranked Pull Handles

DIA.	C/S	FITTING	
32	225	B/Through	32RBTPR225
32	300	B/Through	32RBTPR300
32	425	B/Through	32RBTPR425
32	225	Back/Back	32RBBPR225
32	300	Back/Back	32RBBPR300
32	425	Back/Back	32RBBPR425

(available in AS, PB, SSS, PSS)



Diameters of feet

Pull handle diameter = feet diameter

25mm = 22mm
32mm = 25mm
38mm = 32mm
50mm = 32mm