



6mm deep  
Escutcheons



ECK35



ECL35



ECE35

10mm deep  
Escutcheons



10ECK1

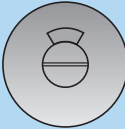


10ECL2

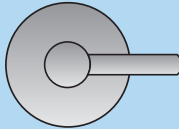


10ECE3

Bathroom indicators



DIFM12S



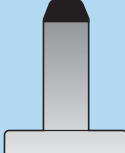
101FM1/2

Oval door  
stop



DS6

Concealed skirting  
door stop



DS2

Secret fix  
door stop



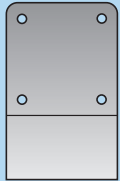
DS3

Floor round  
door stop

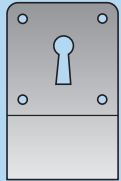


DS5

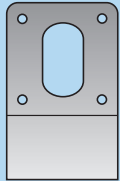
Cylinder pulls



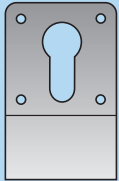
CPH1



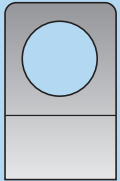
CPK2



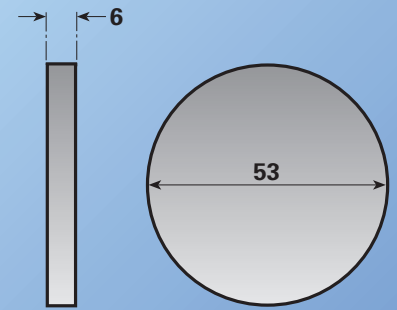
CPL3



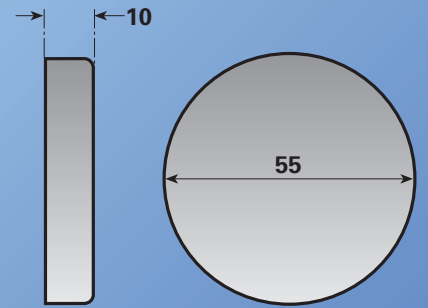
CPE4



CPR6



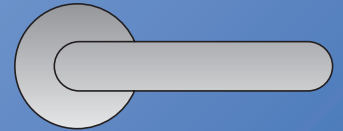
Concealed slimline



Concealed

All rose fittings (including escutcheons) can be supplied with bolt through at standard 38mm centres using 'T' fix bolts. For variations please contact a member of our technical staff.

Levers on roses



- 16RCR
- 20RCR
- 22RCR
- 16RCRS
- 20RCRS
- 22RCRS

- 16RSTCR
- 20RSTCR
- 22RSTCR
- 16RSTCRS
- 20RSTCRS
- 22RSTCRS

Heavy duty  
handrail bracket



HRB2

Letter plates

- aluminium inward opening
- 300mm x 100mm ASLP135
  - 350mm x 125mm ASLP156
  - 400mm x 125mm ASLP176

- stainless steel inward opening
- 330mm x 100mm SSLP135

Other sizes to special order

# Witley suite - levers on roses, escutcheons, turns & releases

A range of levers and knobs on either 10mm sprung roses or slimline unsprung roses. Escutcheons to suit most applications, slimline, standard or 10g face fix. All levers are spindle fixed using grub screws.

All the items listed are available in the following finishes; AS, PB, SSS, PSS  
Refer to page 3 for glossary of finishes.